

AIR PREPARATION UNITS

FRC WITH TAMPER PROOF - Series FRC1

Cat No FRC1T - 01 - A

FILTER REGULATOR COMBINATION WITH TAMPER PROOF - 1/8, 1/4, 3/8, 1/2, 3/4, 1

Features

- Modular type
- Suitable for panel mounting
- Filter
 - Bronze filtering element
 - Separator and shield for efficient moisture separation
- Regulator - Diaphragm operated, relieving type
 - Pressure compensated by balanced poppet
 - Flow compensated in models FRC14, FRC15 & FRC17 (with venturi) for faster response
 - Non raising 'Press to lock' adjusting knob for locking at any set pressure
- Steel bowl guard, bayonet type on FRC14, FRC15 & FRC17 models and threaded type on FRC13 model
- Good flow and regulating characteristics
- Tamper proof (Setting secured via screw on knob)



Function

- a. Prevents ordinary hand adjustments
- b. Outlet pressure settings remain unchanged. These regulators give extra level of security. (Set the desired outlet pressure and lock with screw to prevent further adjustment.)

Technical Specifications

Model	FRC13...T	FRC14...T	FRC15...T	FRC17...T	FRC17...T
Medium	Compressed air				
Port size	G1/4	G3/8	G1/2	G3/4	G1
Pressure gauge port size	G1/8	G1/8	G1/8	G1/4	G1/4
Flow rate (lts / min) @	550	2180	3000	4250	5500
Maximum supply pressure (bar)	10				
Regulating pressure range # (bar)	0.2 - 2, 0.2 - 4, 0.5 - 7, 0.5 - 10 (Standard)				
Ambient temperature	-10° to +50° C				
Medium temperature	+5° to +50° C				
Filtration # (µm)	1, 5, 25, 40 (standard), 50, 100				
Bowl capacity (ml) (at maximum condensate level)	9	32	44	165	165
Bowl material	Polycarbonate				
Installation	Vertical (as shown in the picture)				
Materials of construction	Aluminium, Bronze, Brass, Steel, Acetal, Polycarbonate, SS, Nitrile				
Optional accessories *	Clamp, Modular mounting kit, Pressure gauge				
Weight (Kg)	0.30	0.58	1.27	2.09	2.05

@ Supply pressure 7 bar, Set pressure 6 bar, Pressure drop $\Delta p = 1$ bar (For standard models).

For details see " How to order ".

* For details refer optional accessories Cat No APA - 01 - C

Precautions

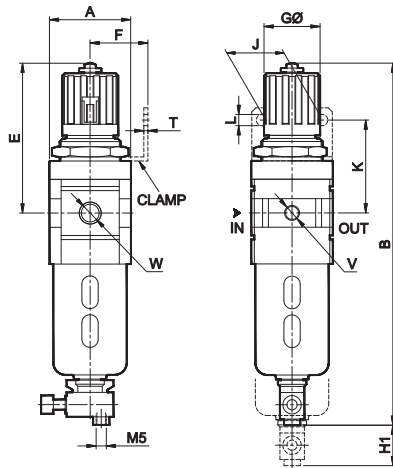
1. Note the direction of flow before installation and connect piping accordingly.
2. Flush pipings for dirt, dust, rust and other foreign particles.
3. Install in clean atmosphere.
4. Nipples of taper threads (R) to be used with teflon tape. Ensure teflon tape does not enter the unit during tightening. Nipples of straight threads (G) to be used with sealing washer.
5. Polycarbonate bowls may get damaged and possibly fail if exposed to synthetic oils, thinner, solvents, trichloroethylene kerosene or other aromatic hydrocarbons.

AIR PREPARATION UNITS

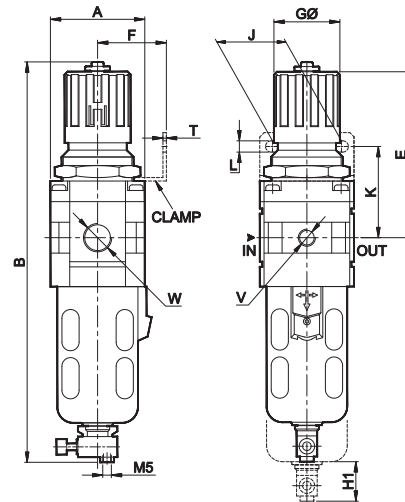
FRC WITH TAMPER PROOF - Series FRC1

Cat No FRC1T - 01 - A

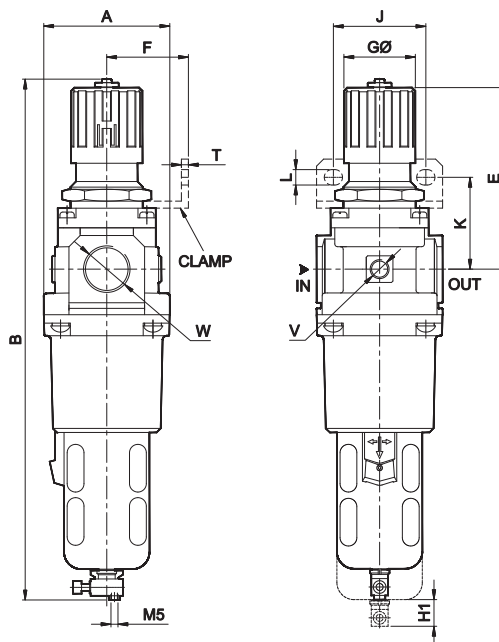
Model FRC13...T



Model FRC14...T & FRC15...T



Model FRC17...T



Model	W	V	A	B	E	K	F	GØ	J	L	T	H1
FRC13-T	G1/8, G1/4	G1/8	SQ 40	177	68	45	30	28	28	5.5	2	50
FRC14-T	G1/4, G3/8	G1/8	SQ 55	233	95	53	40	40	40	6.5	2	55
FRC15-T	G1/4, G3/8, G1/2	G1/8	SQ 70	291	125	62	50	51	55	8.5	2	80
FRC17-T	G3/4	G1/4	SQ 90	375	130	65	70	51	66	11	5	80
FRC17-T	G1	G1/4	SQ 90	375	130	65	70	51	66	11	5	80

For Details of Clamp see optional accessories Cat No APA - 01 - C

Pressure Setting

Loosen the screw provided on the top of the knob.

Pull the knob and adjust by turning the knob clockwise to increase the pressure. Push the knob back to its locked position, and tighten the screw on knob. (Turning the knob counter clockwise will reduce the pressure)

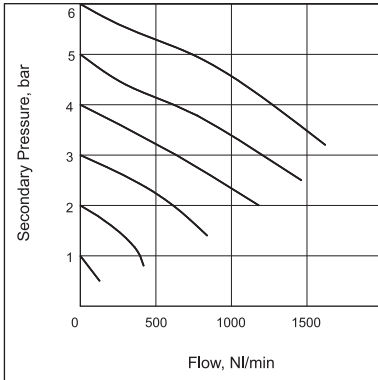
AIR PREPARATION UNITS

FRC WITH TAMPER PROOF - Series FRC1

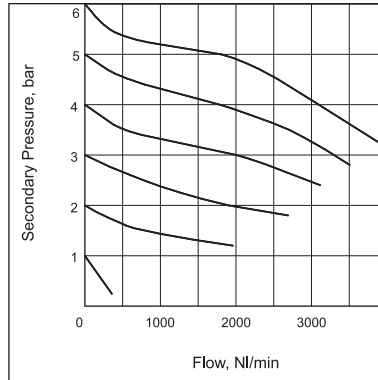
Cat No FRC1T - 01 - A

Flow Graphs

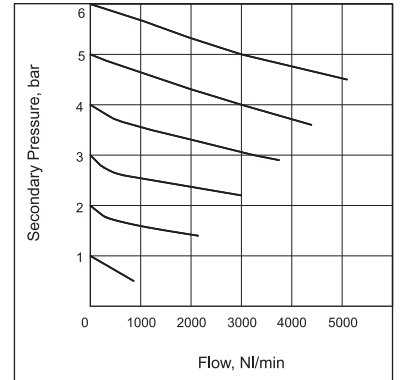
FRC136134 - T



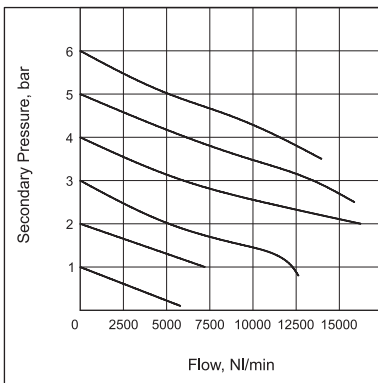
FRC146234 - T



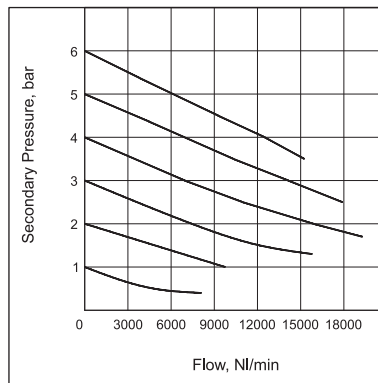
FRC156334 - T



FRC176434 - T



FRC176534 - T



Flow graphs are for 40µm filtrations and 10 bar pressure.

How to order

FRC1	462	3	4	T	
Body & Port size		Filteration in µm		Pressure range	
360	G1/8	0	- 1	1	0.2 - 2 bar
361	G1/4	1	- 5	2	0.2 - 4 bar
461	G1/4	2	- 25	3	0.5 - 7 bar
462	G3/8	3	- 40 (Standard)	4	0.5 - 10 bar (Standard)
561	G1/4	4	- 50		
562	G3/8	5	- 100		
563	G1/2				
764	G3/4				
765	G1				
				Tamper proof	
				T	Tamper proof

Ordering example:

Filter Regulator Combination - 3/8 size (with G3/8 port) with 5µm Filter and pressure range 0.5 - 7 bar with Tamper proof - Ordering No: **FRC146213-T**

If ordered as FRC 3/8 our standard model **FRC146234**, with 40µm Filter and pressure range 0.5 - 10 bar will be supplied.